

KNIFE EDGE GATE VALVE



STAFFORD knife gate is a Uni-directional Lug / Wafer type valve designed according to MSS-SP-81 for industrial service applications. The design of the body and seat assures non clogging shut off on suspended solids in industries such as

- Pulp and Paper
- Power plants
- Mining
- Chemical plants
- Wastewater treatment plants
- Food and Beverage Etc.

Sizes: DN 50/2" to DN 900/36" (larger diameters on request)

Working Pressure:

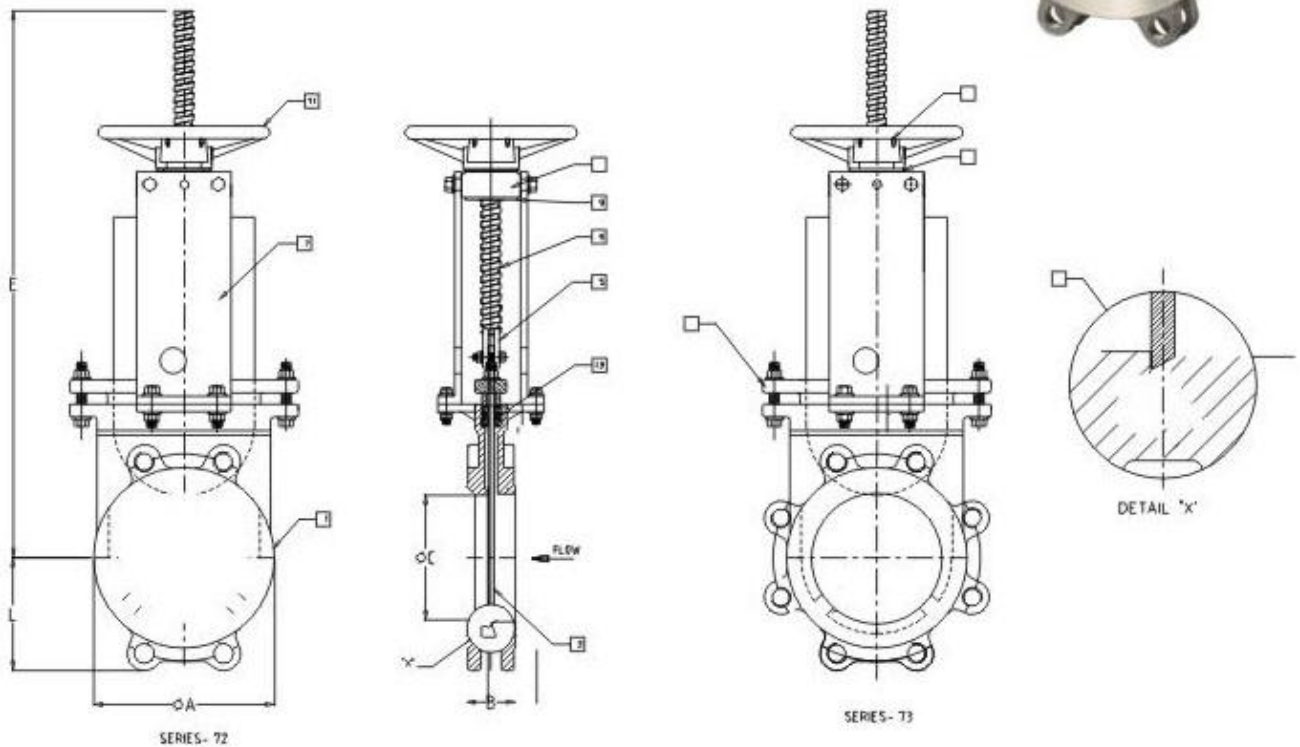
DN 50/2" to DN 600/24" 10 kg/cm² / 150 psi
 DN 750/30" 7 kg/cm² / 100 psi
 DN 900/36" 7 kg/cm² / 100 psi

Standard Flange Connection:

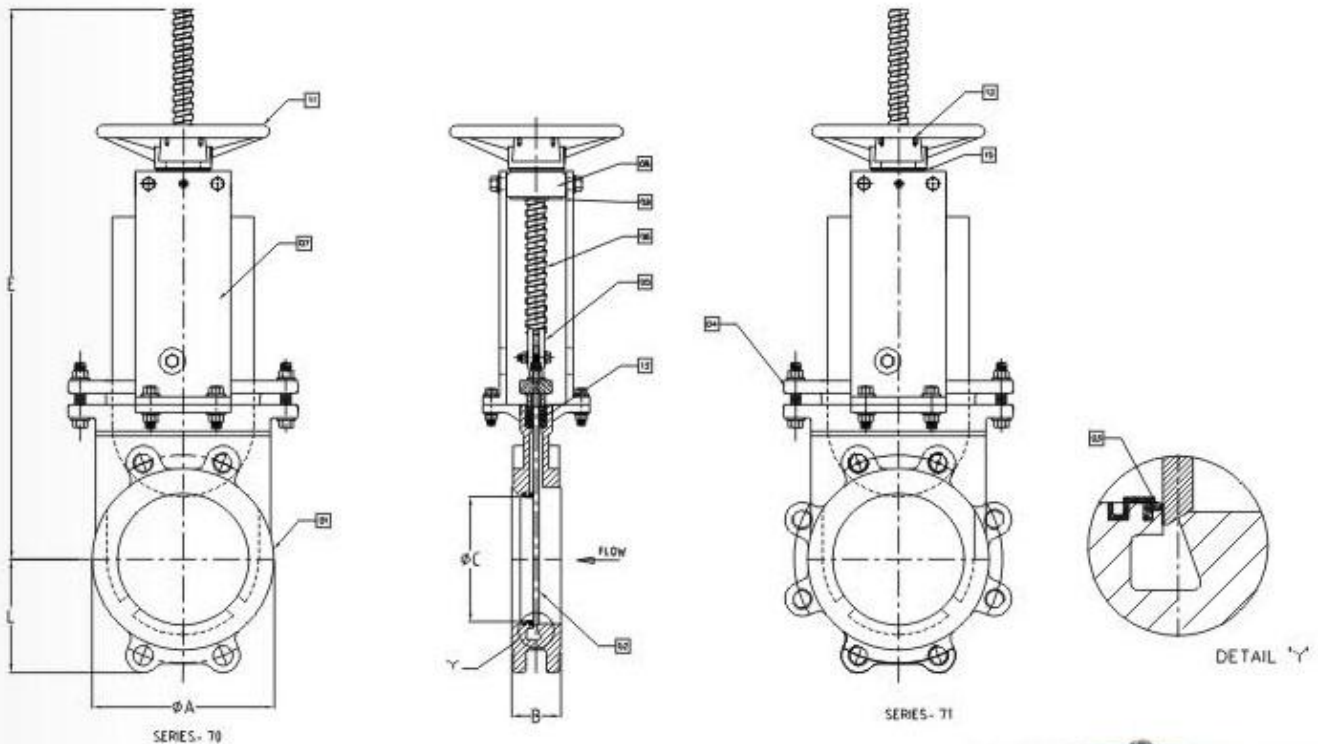
DIN PN 10 and ANSI B16.5 (class 150)
 Other flange connections available on request



Knife Edge Gate Valve - Metal Seated



Knife Edge Gate Valve - Soft Seated



Part List

S.No.	Part	Description
1	Body	CF8M / CS / CI / DI / Other materials
2	Gate	ASTM A 240 304 / 316 IS 2062 ASTM A 36 & Other material
3	Seat	Metal to Metal or Soft Seated
4	Packing	PTFE Impregnated Synthetic Fibre
5	Gland Follower	CF8M / CS / CI / DI / Other materials
6	Stem	ASTM A 276 410 / 304 / 316 & Other materials
7	Stem nut	Brass
8	Side Plate	MS
9	Hand wheel	Malleable Iron

Body:

Wafer / Lug type one piece integrally cast body with internal cast gate wedges and guides allows for tighter shutoff. Port design follows the MSS-SP-81 standard. The internal design of the valve avoids any build up of solids that would prevent the valve from closing.



Gate:

The gates are polished and lapped to attain a greater seal between the gate and both the packing and the seat. The bottom of the gate edge is also machined to a bevel, so that it cuts through the solids for a tighter seal in the closed position.

Seat:

Unique design that allows mechanically locks the seal in the internal of the valve body, with a Metal to Metal contact or resilient seat with retainer ring. Standard EPDM also available in different material options such as Viton, PTFE, etc.

Packing:

Long-life packing with several layers of PTFE impregnated fibre with an easy access packing gland ensuring a tight seal. Long-life braided packing is available in a wide range of materials.

Stem:

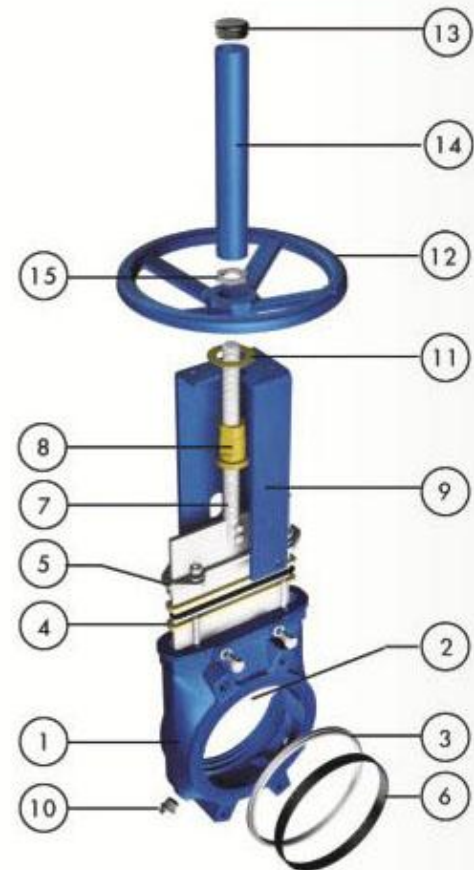
Our stem offers a long corrosion resistant life. For rising stem actuators only, a stem protector is provided for additional protections against dust while the valve in the open position.

Actuators:

Our valves are suitable for direct mounting of Linear Actuators / Cylinders. Compact design makes it extremely robust even under the most severe conditions. All actuators supplied are interchangeable, and supplied with an standard mounting kit for installation purposes on site.

Accessories:

- Mechanical stops
- Locking device
- Manual override
- Solenoid valves
- Positioner
- Limit switches
- Proximity switches
- Floor stands
- Stem extensions
- (Wide range of valve extensions available)



All statements, technical information and recommendations in the bulletin are for general use only. Stafford is not responsible for suitability or compatibility of these products in relation to system requirements. Consult Stafford distributors or factory for the specific requirements and material selection for your intended application. Stafford reserves the right to change or modify product design or product without prior notice.

Distributor

Stafford Controls Limited

Plot No : 319, Sidco Industrial Estate
 Ambattur, Chennai - 600 098. INDIA
 Phone: +91 44 4207 7741 / 2624 1719
 TeleFax: +91 44 2625 8319
 E-mail: sales@staffordvalves.com
 Website: www.staffordvalves.com